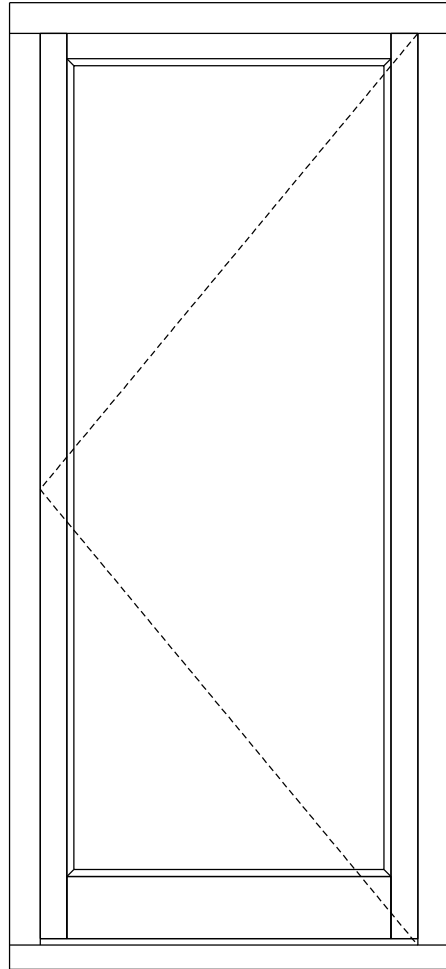
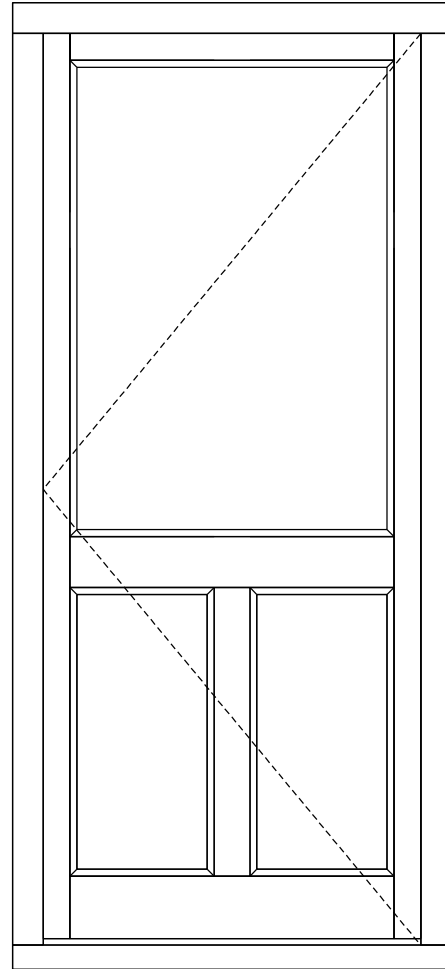


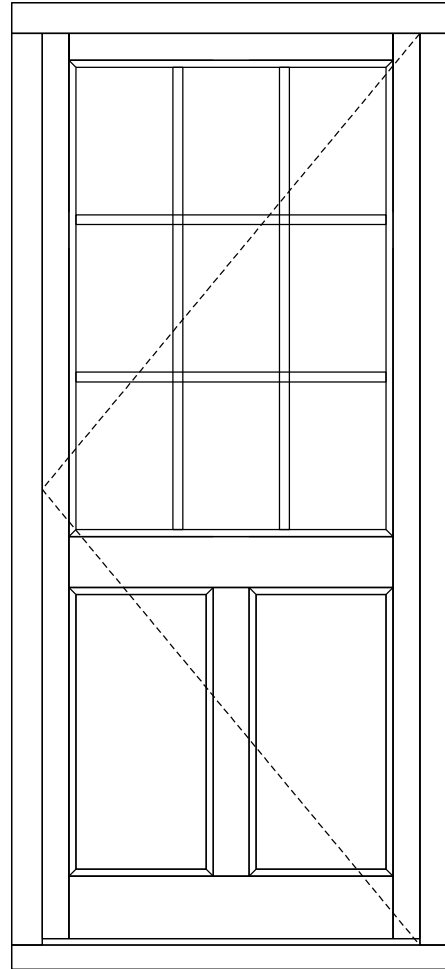
Door 1



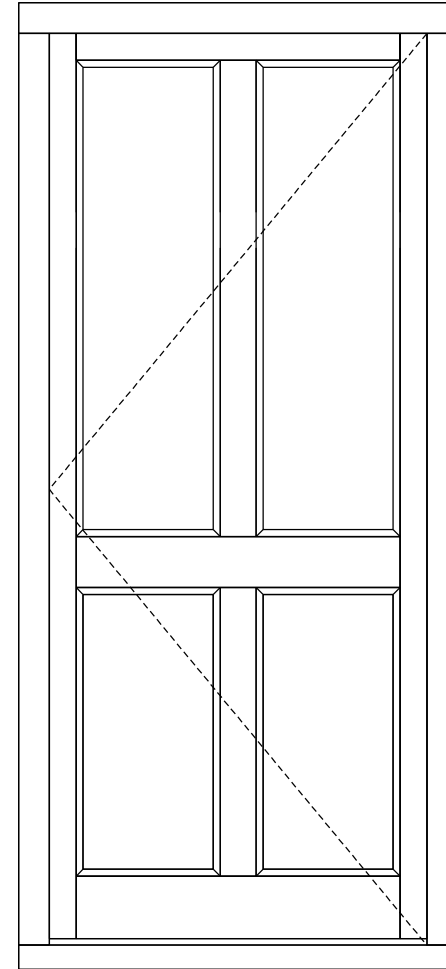
Door 2



Door 3

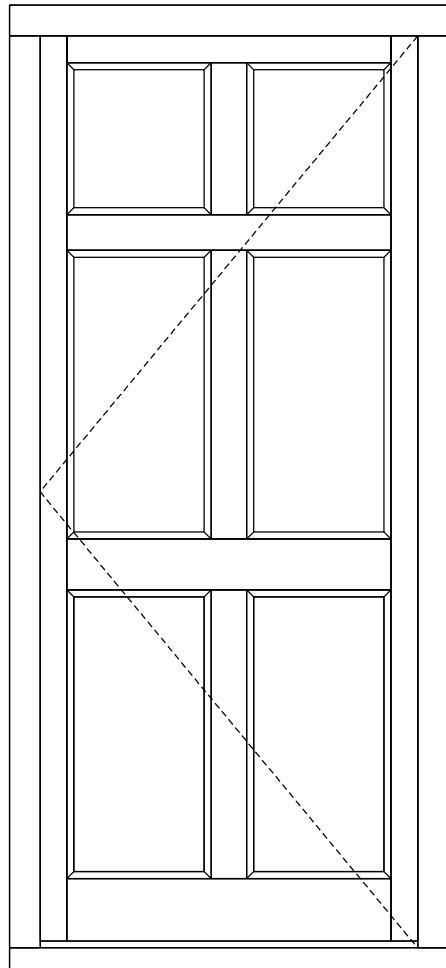


Door 4

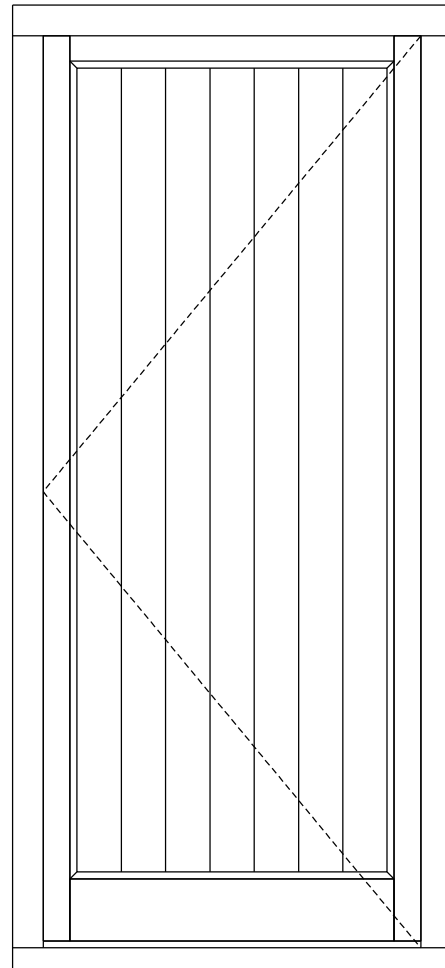


Standard Specification
Engineered Laminated Hardwood
56mm thickness High Security door
26.8mm Double Glazed - Low 'E' Units
Flat or Boarded - Insulated Panels
Proprietary Multipoint locking system
3D Adjustable hinges
Proprietary Flood Resistant gasket system
High Security 'Ultion' cylinder
Full factory applied coating system
Low maintenance coating
Range of Opaque or Translucent finishes
Opening In or Opening Out Option
Projection cill options
Leaded or Glazing bar options

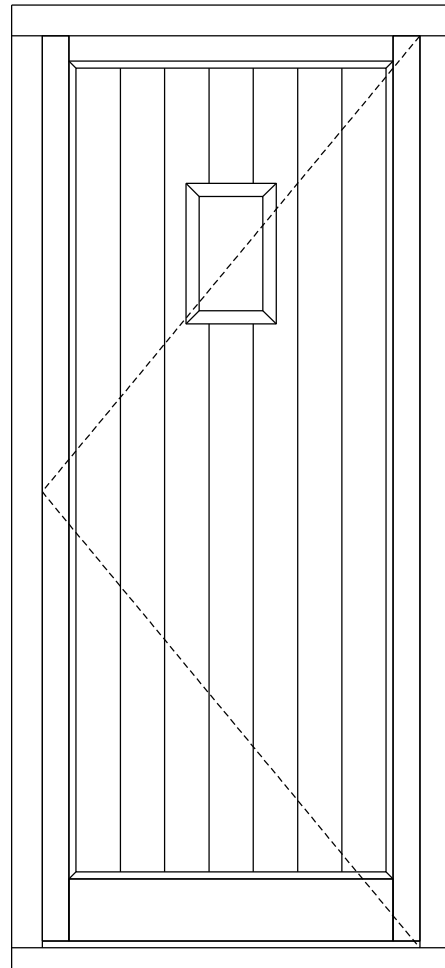
Door 5



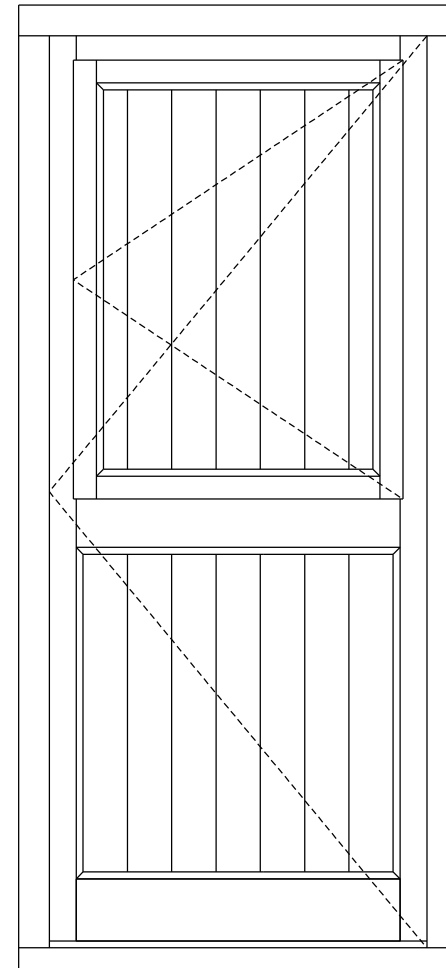
Door 6



Door 7

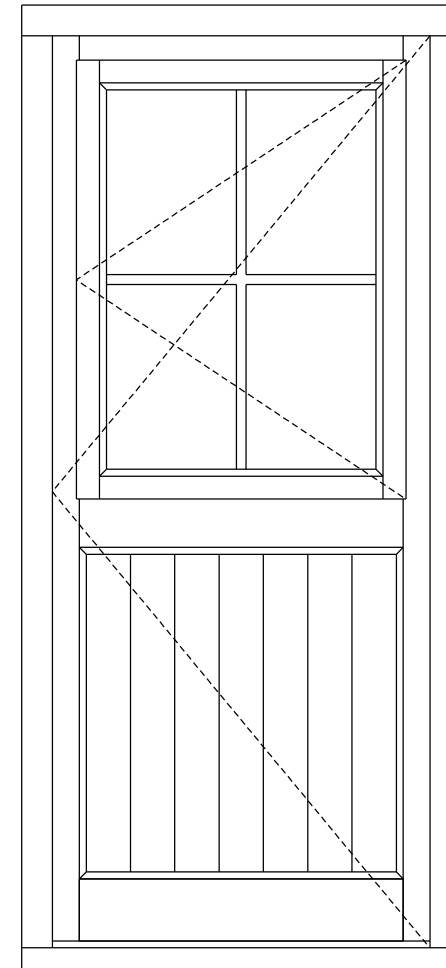


Door 8



Egress Top Opener

Door 9



Egress Top Opener