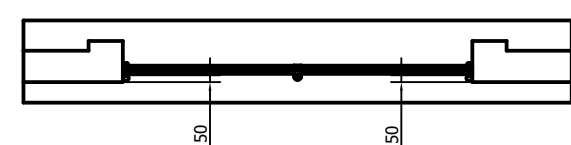
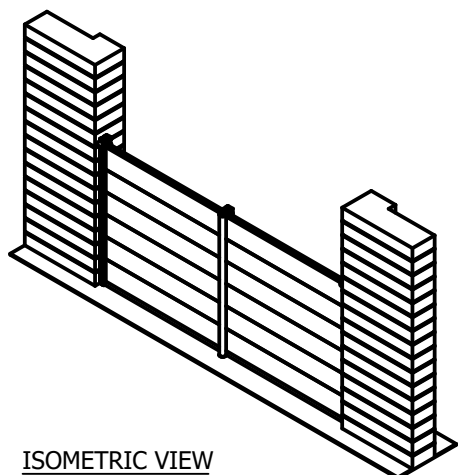


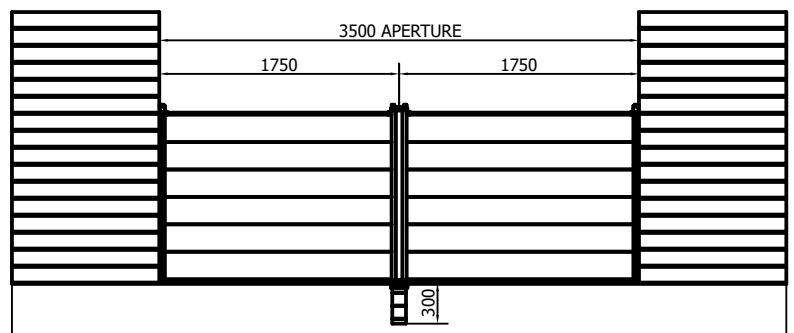
REVEAL FIXING WITH COMPRESSION POST



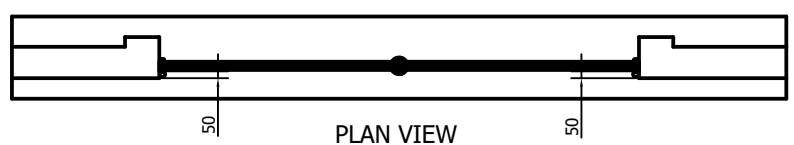
PLAN VIEW



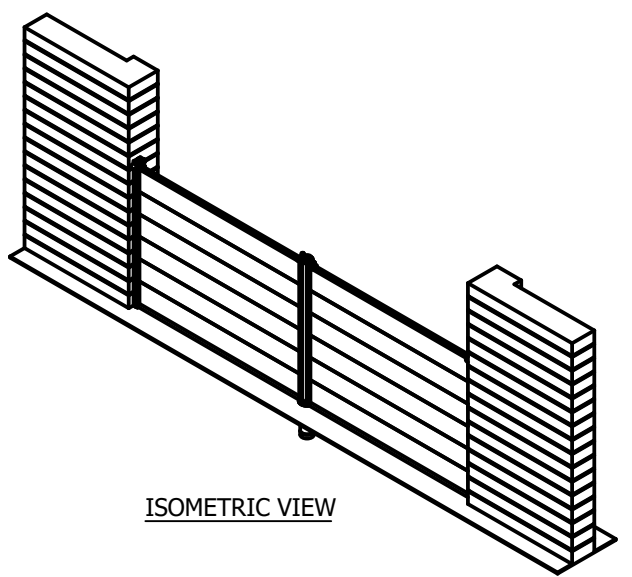
ISOMETRIC VIEW



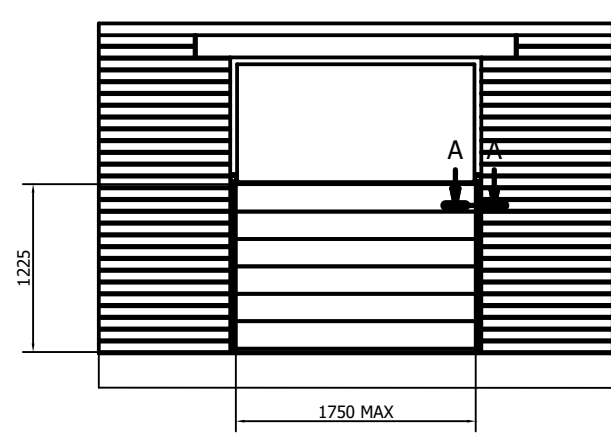
REVEAL FIXING WITH DEMOUNTABLE POST



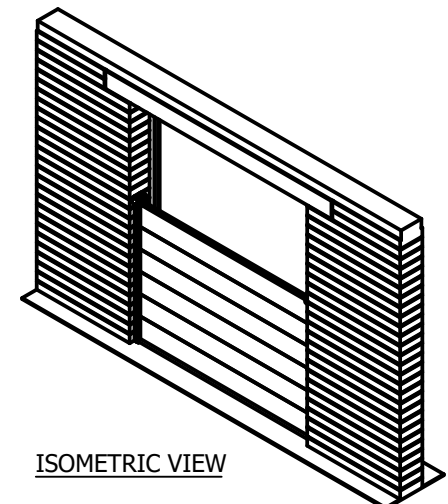
PLAN VIEW



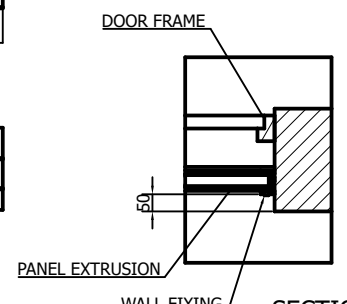
ISOMETRIC VIEW



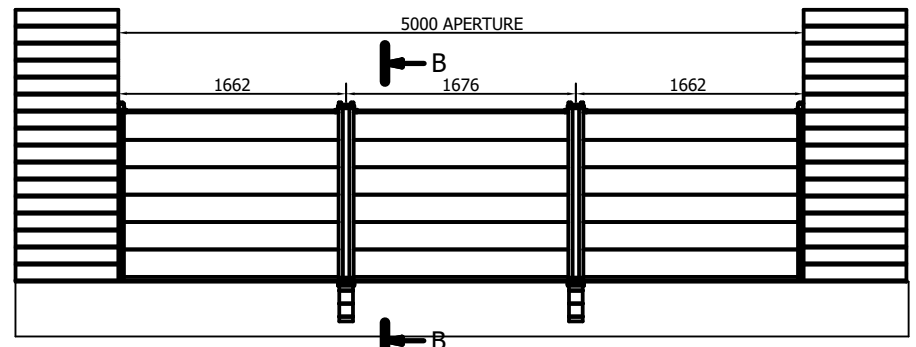
PLAN VIEW



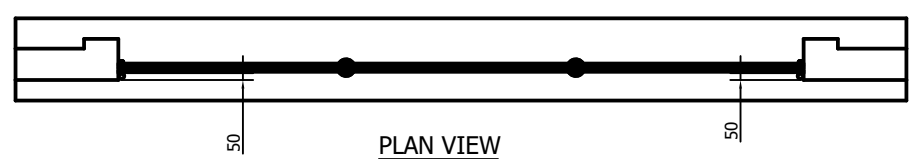
ISOMETRIC VIEW



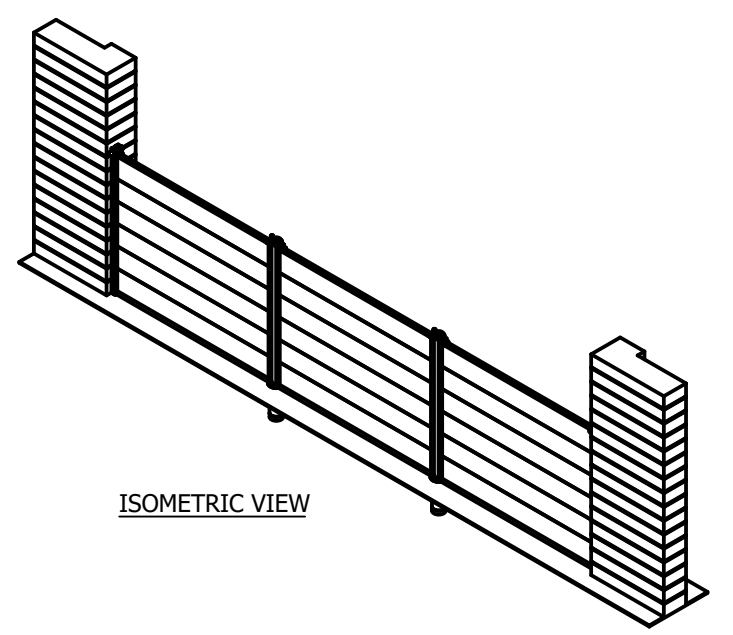
SECTION A-A  
1:10



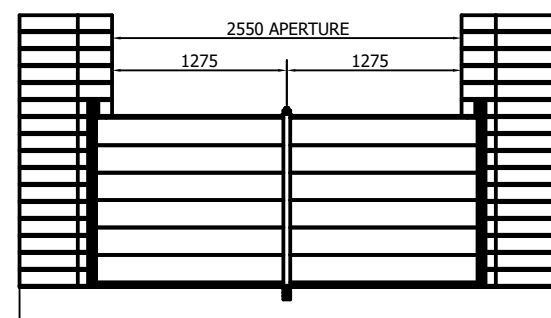
REVEAL FIXING WITH MULTIPLE DEMOUNTABLE POST



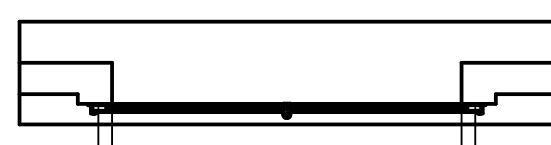
PLAN VIEW



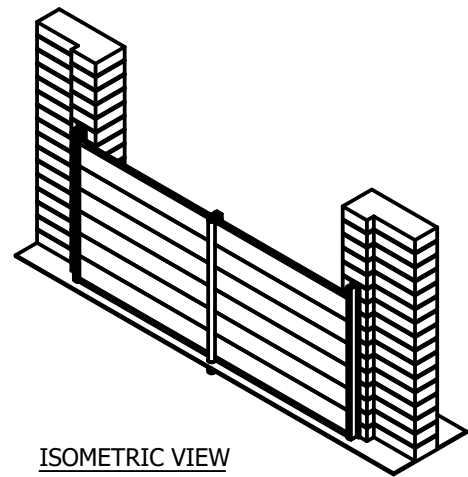
ISOMETRIC VIEW



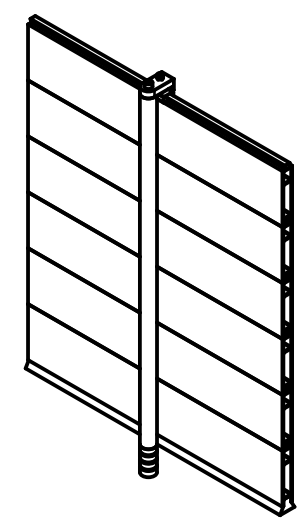
FACE FIXING WITH COMPRESSION POST



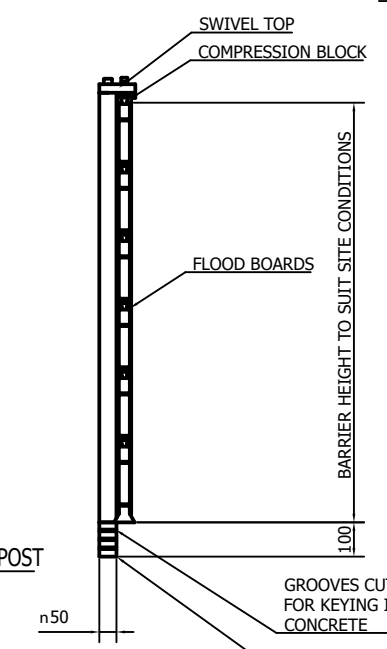
PLAN VIEW



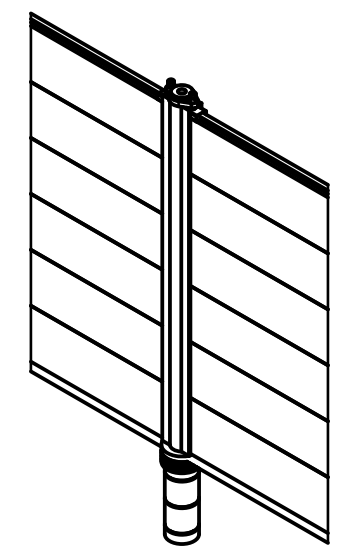
ISOMETRIC VIEW



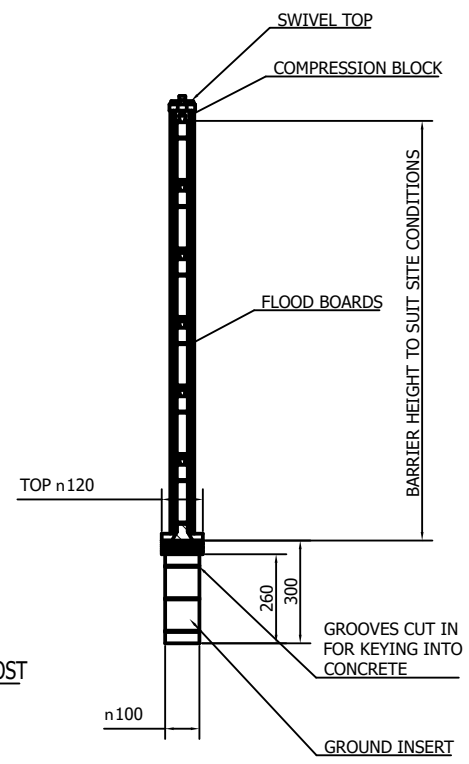
ISOMETRIC VIEW OF COMPRESSION POST



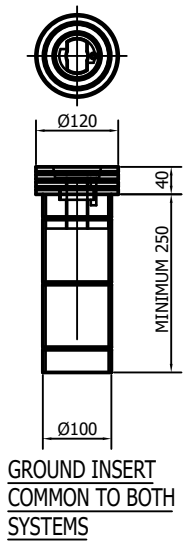
ARRANGEMENT OF COMPRESSION POST



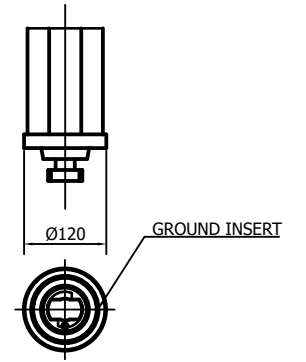
ISOMETRIC VIEW DEMOUNTABLE POST



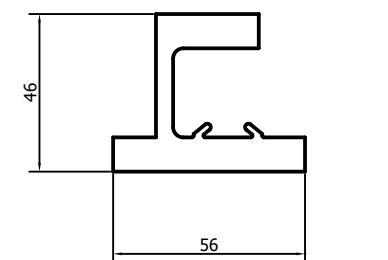
ARRANGEMENT OF DEMOUNTABLE POST  
VIEW B-B



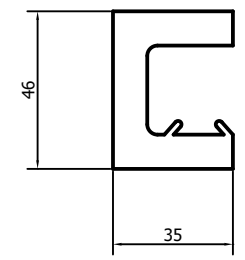
GROUND INSERT  
COMMON TO BOTH  
SYSTEMS



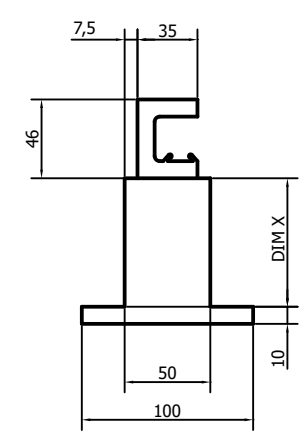
DEMOUNTABLE POST  
BOTTOM TWIST AND  
LOCK ASSEMBLY,  
COMMON TO BOTH  
SYSTEMS.



STANDARD FACE FIXING PROFILE

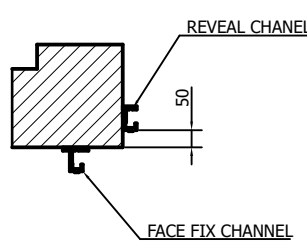


STANDARD REVEAL FIXING PROFILE

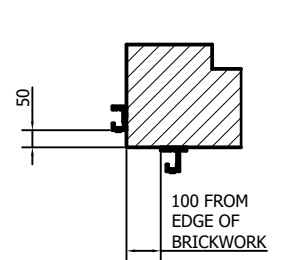


PACKING AVAILABLE FOR FACE FIXING

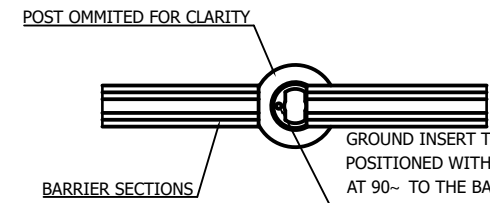
PACKING SIZES	
DIM X	
25mm	
50mm	
75mm	
100mm	



REVEAL & FACE FIX CHANNELS



100 FROM  
EDGE OF  
BRICKWORK



PLAN VIEW ON DEMOUNTABLE POST GROUND INSERT



B				MOD AS PER REQUEST		RB	17.8.17
Revision	Date	Author	Number	Scale	Check	Drawn	Date
03.02.16	B.P.		2015/5892A				
FLOOD BARRIER ARRANGEMENTS BUFFALO 200				16963			
						1:10	
						1 of 1	AO